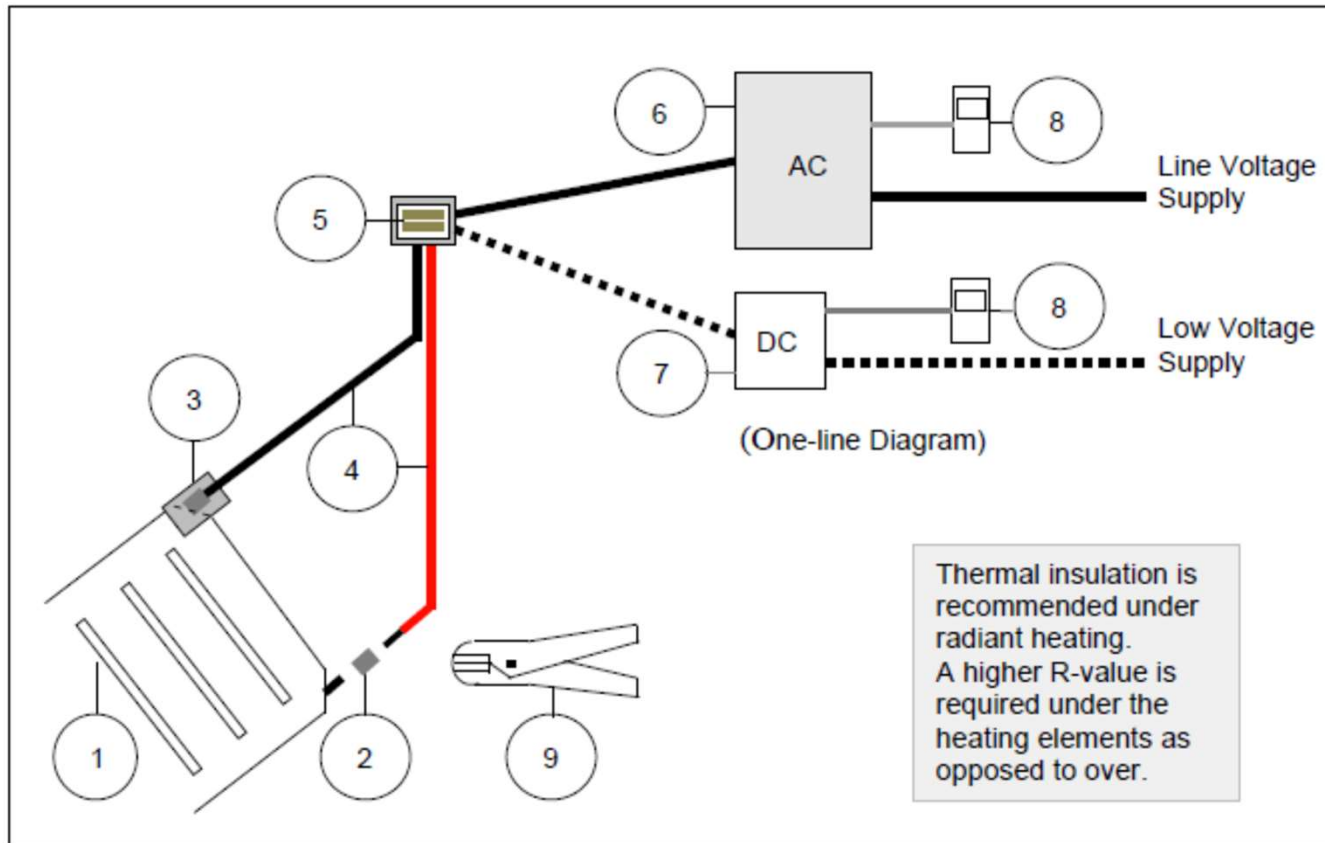


Components, Accessories and Tools



Parts and Accessories for the STEP System



1. STEP Heating Element
2. STEP Connector
3. Sealant Tape
4. Stranded Tinned Copper Wire

5. Terminal Block (optional)
6. STEP Power Supply 24 VAC
7. STEP Controller 24 VDC
8. STEP Touch Thermostat
9. STEP Crimp Tool

Connect the Elements using the Recommended Crimp Tool, Wires, Connectors and Tape



EXTENSION WIRE

- Extension wire for field wiring from power supply to elements
- #12 or #10 AWG stranded tinned copper
- To differentiate polarities use two different wire colors



CONNECTOR & TAPE

- Tinned copper crimp connectors
- Insulating electrical moisture sealant tape
- Always check that the connections are secure



CRIMP TOOL

- TOOL-PRO ratchet crimp tool is required as it is specially designed to properly crimp the connections.
- Use to crimp the CON-DB connector to the extension wires.



TERMINAL BLOCK

- Two-pole, power terminal block enclosed in extruded aluminum profile w/ heat sink.
- Set screw lug terminals sized for #14-#4 AWG wires