



HERSCHEL MANHATTAN 3000 Watts Wall and Ceiling mounted Infrared Heater



EN INSTALLATION & OPERATING INSTRUCTIONS
ES INSTRUCCIONES DE INSTALACIÓN Y FUNCIONAMIENTO

MODELS COVERED BY THIS MANUAL:

Manhattan 3000



Original instructions covering MANHATTAN produced 122021 onwards.
MANHATTAN 3000 conforms to UL 2021:2015 Ed.4+R:14Dec2016 and CSA
C22.2#46:2013 Ed.9
File 5005382

IMPORTANT SAFETY PRECAUTIONS

READ THESE INSTRUCTIONS CAREFULLY AND RETAIN FOR FUTURE REFERENCE.

Failure to observe these instructions will invalidate the warranty. No liability can be accepted for any damage caused by non-compliance with these instructions or through improper use or mishandling.

This unit may be a source of possible shock.

Do not disassemble. No user-serviceable parts inside.

Source of possible ignition.



WARNING

TO REDUCE THE RISK OF FIRE, ELECTRIC SHOCK OR INJURY:

1. Remove the unit from its packaging and check it to ensure it is in good condition before installing and operating.
2. Send the packaging to be recycled. **DO NOT** let children play with plastic bags or other parts of the packaging.
3. **CAUTION:** Risk of Electric shock
 - a. This appliance must be disconnected from its power source during installation or service activities and when replacing.
 - b. **DO NOT** use this heater in the immediate surroundings of a bath, shower or swimming pool or hot tub where it could fall into a container full of water.
 - c. Switches and other controls must not be within reach of a person in a bath, pool, hot tub or shower.
 - d. **DO NOT** touch this heater or its controls with wet hands.
 - e. **DO NOT** allow power cables to become immersed in water or other liquid.
 - f. **DO NOT** open or try to repair the heater yourself. Servicing should be performed by qualified personnel only.
4. In order to avoid overheating and potential fire hazard, **DO NOT** cover the heater under any circumstances. If the heater should become accidentally covered during operation, turn it off immediately and clear out any foreign objects that have covered the heater or become lodged in the grill.
5. The unit must be installed with a minimum clearance of 71" (1800mm) to the floor and 12" (300mm) clearance at the top and 16" (400mm) to the sides of the heater.
6. **DO NOT** touch the heater when in use. Parts of the heater may exceed 392°F / 200°C during operation. Contact with the heater during operation may cause severe burns. Do not touch the heater during or for 10 minutes after operation.
7. **DO NOT** use the heater if the power cord is damaged. This must be replaced by the manufacturer, its service agent or similarly qualified persons in order to avoid a hazard.
8. **DO NOT** use the heater to ignite materials. **DO NOT** operate in locations containing gasoline, flammable liquids or other volatile substances.
9. **DO NOT** install this heater near, or pointing towards flammable objects within 1 metre or where curtains, towels or other flammable items can be blown onto the heater.
10. This heater must only be used for the heating of people outdoors or indoors in an unenclosed space. The MANHATTAN is not to be used by children or persons with reduced physical, sensory or mental capabilities, or lack of experience or knowledge, regardless of whether they have been given

instruction or are under supervision. Children should be kept away and should not be left unsupervised around the unit.

11. All operators shall only switch on/off the appliance provided that it has been placed or installed in its intended normal operating position and they have been given supervision or instruction concerning use of the appliance in a safe way and understand the hazards involved. Children shall not plug in, switch on or regulate the appliance or perform user maintenance including cleaning.
12. **DO NOT** leave the heater operating unattended.
13. **NEVER** place hands under the heating element during operation.
14. **IMPORTANT:** Ensure supply voltage does not exceed 245 Volts.

SAVE THESE INSTRUCTIONS.

WATER PROTECTION:

Herschel MANHATTAN is suitable for outdoor use.

Installation in areas such as outdoor bathrooms, pools or hot tub areas must be carried out by a suitably qualified installer and comply with local electrical safety requirements.

If in doubt, do not install. Herschel Infrared Ltd shall not be liable for any loss, damage or injury caused or resulting from inadequate fitting or incorrect placement of heaters close to water sources.

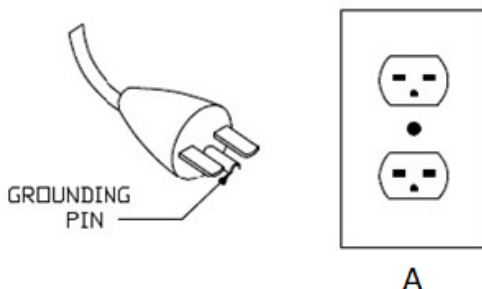
ELECTRICAL INFORMATION:

Table 1. Electrical Specification

Model	MANHATTAN 3000
Voltage	240V
Rated Power	3000 Watts
Current	12.5 Amps
Breaker	Type C recommended or use Herschel Soft-Start unit
Frequency	50 Hz

The Herschel MANHATTAN may be plugged in to a waterproof socket. Any extension lead used must have sufficient capacity to carry the current required by the heater as shown in in Table 1. All plugs, sockets and switches intended for use outdoors must have an appropriate water ingress protection.

240V Grounding methods



ENGLISH

The MANHATTAN 3000 is for use at 240 volts. The power cord has a plug on it for use in a mains socket as shown in 'A'. No adapter is available to use between the plug and a different sort of power socket and none should be used. The mains socket type is a 240 Volt grounded outlet. When used, it provides a ground connection through the power cable to the heater to protect the operator from electric shock.

Always disconnect the heater from the power when not in use.

Herschel recommends you use a Type C circuit breaker to handle the initial current when the heater is switched on.

The mounting position of the unit must ensure that any mechanical damage to the flexible cable is unlikely. Excess cable should be secured and must not touch hot parts of the heater and should not encroach into the heated area. Do not allow the cable to act as a conduit for water into the cable gland on the back of the heater.

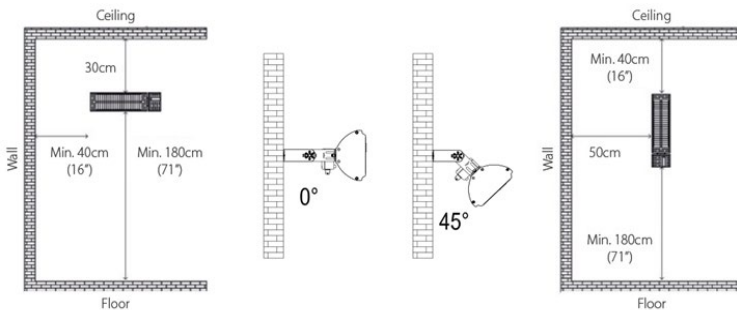
MOUNTING POSITION:

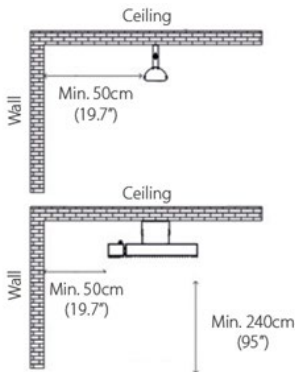
The Herschel MANHATTAN is a middle wave infrared heater characterised by a strong beam of heat suited for use in colder areas or areas that may be subject to light winds, whilst still maintaining heating effectiveness. When used outdoors or other areas with air movement/wind, the directional Infrared spread may reduce by 1/3 to 1/2 from published figures.

Ensure distances are maintained from the nearest wall or ceiling according to your installation, as shown:

Diagram 1: Wall Mounted, horizontal or vertical

MANHATTAN may be wall mounted horizontally or vertically and can be adjusted to project straight outwards or at a 45° angle. The minimum installation height of the MANHATTAN above the floor is 71" (1.8m) when wall mounted.



**Diagram 2 – Ceiling Mounted**

The minimum installation height of the MANHATTAN above the floor is 95" (2.4m) when ceiling mounted. Consideration should be given to any temporary or occasional structures such as stages or platforms and adjusted accordingly. Keep the cable and other electrical connections outside the heater footprint.

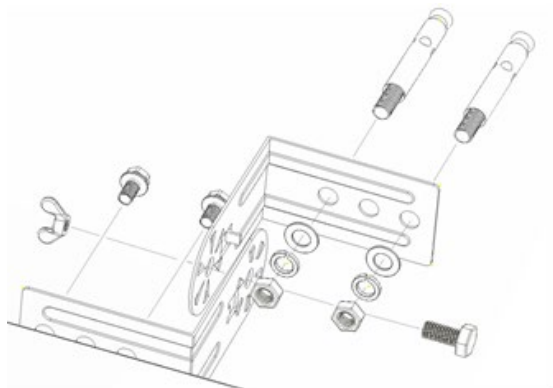
For all installations, the MANHATTAN must be located in a position to allow proper and efficient use but one that ensures hot parts are not touched accidentally.

INSTALLATION:

Diagram 3: Bracket Assembly

Mounting Hardware Includes:

- 4 x bracket pieces - fit together to form 2 brackets with a central pivot. The protruding blade on each bracket fits over the circular end of the opposing bracket to ensure the correct pivot angle.
- 4 x M6x60 masonry expansion bolts (for fitting brackets onto wall).
- 2 x small bolts to fit brackets onto the rear of the heater.
- 2 x small bolts and wing nuts (to form the pivot on the brackets).



Using the brackets as a template, mark and drill 4 x 8mm holes in the wall. Insert the plugs into the wall and fit the brackets, washers, spring washers and nuts over the exposed threaded ends. Tightening the nuts will force the plug end to expand in the wall and form a secure mounting for the heater.

Fit the opposite bracket to the back of the heater before then inserting and tightening the bolt and nut for each hinge.

HANDLING WHILE INSTALLING:

Take care while installing to avoid touching the grill on the front of the heater. Be sure to wipe away any finger marks from the heater before the heater is first switched on, since the oils in fingerprints can burn and cause rapid discolouration of certain parts.

**CAUTION:**

- Ensure mains power is OFF and the unit is cool before commencing installation.
- The supplied mains cable must not contact the top surface of the heater during operation.
- Heater must not be located immediately above or below a socket outlet. Electrical connections must be made outside of the footprint of the unit to avoid heat build-up in the connection.
- Joists, beams and rafters shall not be cut or notched to install the appliance.
- This heater is not intended for recessed installation.
- The identification mark and model reference should be visible after installation.
- The fixed wiring insulation coming into contact with parts with a temperature rise of greater than 50°C must be protected, for example, by sleeving having an appropriate temperature rating.
- Ensure that wires are properly secured and cannot be pulled by small children.

INITIAL USE:

The power switch on the side of the MANHATTAN has 2 positions:

- Position O (Off)
- Position I (On - standby)

To use the heater, switch the power switch to Position I. Then use the remote control as described below to adjust the power up or down or use the countdown timer. There may be odour or vapour from the heater on initial use or if it has not been used for an extended period. This is normal.

OPERATION BY REMOTE CONTROLLER:

Insert 2 x AAA Alkaline batteries into the remote control.

All Herschel remote controls have the same frequency, so it is possible to control several heaters with just one remote.

Functions of the remote control are as follows:

Remote Control Function			
Button	Function (Heater On)	Function (Heater Off)	LED Display on Heater
1	Turns heater on or off		
2	Increase Heat Level or Timer hours	Turns heater on to Level 1 (minimum)	L1 50%
3	Decrease Heat Level or Timer Hours	Turns heater on to Level 2(Maximum)	L2 100%
4	Enable Timer adjustment	0 - 24	[0H] - [24H]
5	Enable Heat Level adjustment		L [n]

EXTENDED USE:

Over time the grill may discolour due to high temperatures, airborne contaminants and fingerprints. Discolouration will not affect the performance or safety of the heater and is not a condition for warranty replacement.

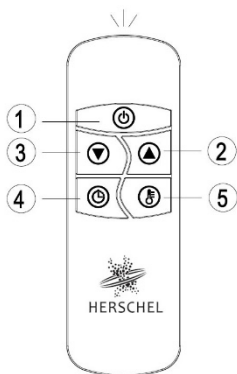
USER MAINTENANCE:

Avoid touching the front grill on the front of the heater and be sure to wipe off fingerprints from these parts. Avoid touching a cold lamp with your fingers. Always wipe off finger marks if you accidentally touch the lamp. Residue from fingerprints can cause hot spots on the lamp surface and shorten the life of the lamp. The heater may be wiped-down with a soft damp cloth. Do not use abrasive detergents to clean the unit.

DO NOT use alcohol, petrol, abrasive cleaners, furniture polish or rough brushes to clean the MANHATTAN.

This will cause deterioration to the surface of the heater.

Changing the lamp should only be carried out by suitably qualified personnel.

**DISPOSAL:**

This heater is an electrical product and must not be disposed of in household waste. A high percentage of the heater can be recycled. Please treat as electrical waste and recycle in accordance with local regulations.

WARRANTY:

Register your product here:

<https://www.herschel-infrared.com/customer-service/warranty-registration/>

The Herschel MANHATTAN is guaranteed against failure due to faulty materials or workmanship for two years from date of purchase excluding the lamp and remote control. In the unlikely event of failure of the unit within this time, the unit must be returned to the supplier for repair or replacement. The guarantee is invalid if the correct installation instructions as given in this leaflet have not been adhered to. Refer to Herschel Infrared Ltd's warranty policy for full details.

See <https://www.herschel-infrared.com>.

Note your serial number for future reference:

TECHNICAL INFORMATION:

Rated Power:	3000W at 240V
Power Settings:	1500W / 3000W with remote control
Heating Element:	2 x 1.5kW carbon fibre middle wave infrared lamps
Reflector:	Mirror Aluminium (98% reflection preventing rearward heat loss)
Dimensions (inches):	41.1 x 6 x 3.3
Mounting position:	Wall or Ceiling
Warm-up time:	2 seconds
Peak wavelength:	2 - 5µm
Weight:	9.2lbs
Warranty:	2 Years (excludes lamp & remote control)
Location:	Suitable for Outdoor use
Remote:	24 hour timer, half power setting. 2 x AAA batteries

ELECTRICAL EQUIPMENT:

Waste electrical products should not be disposed of with household waste. Please recycle where facilities exist.

IMPORTANT NOTICE TO PURCHASER:

Before using the product, you should determine its suitability for its intended use. HERSCHEL INFRARED LTD expressly disclaims implied warranties and conditions of merchantability and fitness for a particular purpose. In no case shall HERSCHEL INFRARED LTD be liable under any legal theory, including but not limited to contract or strict liability, for any direct, indirect special, incidental or consequential damages resulting from product use.

PRECAUCIONES DE SEGURIDAD IMPORTANTES

LEA ESTAS INSTRUCCIONES CUIDADOSAMENTE Y GUARDE PARA FUTURAS CONSULTAS.

El incumplimiento de estas instrucciones invalidará la garantía. No se aceptará ninguna responsabilidad por los daños causados por el incumplimiento de estas instrucciones o por un uso o manipulación inadecuados. Esta unidad puede ser una fuente de posibles descargas.

No desarmar. No hay piezas reparables por el usuario en el interior.

Fuente de posible ignición.



ADVERTENCIA

PARA REDUCIR EL RIESGO DE INCENDIO, DESCARGA ELÉCTRICA O LESIONES:

1. Saque la unidad de su embalaje y verifíquela para asegurarse de que esté en buenas condiciones antes de instalarla y ponerla en funcionamiento.
2. Enviar el embalaje a reciclar. NO deje que los niños jueguen con bolsas de plástico u otras partes del embalaje.
3. PRECAUCIÓN: Riesgo de descarga eléctrica
4. una. Este electrodoméstico debe desconectarse de su fuente de alimentación durante las actividades de instalación o servicio y al reemplazarlo.
5. B. NO use este calentador en las inmediaciones de un baño, una ducha, una piscina o un jacuzzi, donde podría caer en un recipiente lleno de agua.
6. C. Los interruptores y otros controles no deben estar al alcance de una persona en un baño, piscina, bañera de hidromasaje o ducha.
7. D. NO toque este calefactor ni sus controles con las manos mojadas.
8. mi. NO permita que los cables de alimentación se sumerjan en agua u otro líquido.
9. F. NO abra ni intente reparar el calentador usted mismo. El servicio debe ser realizado únicamente por personal calificado.
10. Para evitar el sobrecalentamiento y el riesgo potencial de incendio, NO cubra el calentador bajo ninguna circunstancia. Si el calentador se cubre accidentalmente durante el funcionamiento, apáguelo inmediatamente y elimine cualquier objeto extraño que haya cubierto el calentador o se haya alojado en la parrilla.
11. La unidad debe instalarse con un espacio libre mínimo de 71" (1800 mm) al piso y 12" (300 mm) en la parte superior y 16" (400 mm) a los lados del calentador.
12. NO toque el calentador cuando esté en uso. Algunas partes del calentador pueden superar los 392 °F/200 °C durante el funcionamiento. El contacto con el calefactor durante el funcionamiento puede causar quemaduras graves. No toque el calentador durante o por 10 minutos después de la operación.
13. NO use el calentador si el cable de alimentación está dañado. Esto debe ser reemplazado por el fabricante, su agente de servicio o personas calificadas de manera similar para evitar un peligro.
14. NO use el calentador para encender materiales. NO opere en lugares que contengan gasolina, líquidos inflamables u otras sustancias volátiles.
15. NO instale este calefactor cerca o apuntando hacia objetos inflamables a menos de 1 metro o donde cortinas, toallas u otros artículos inflamables puedan volar sobre el calefactor.



Instrucciones originales que cubren MANHATTAN producido 122021 en adelante.

MANHATTAN 3000 cumple con UL 2021:2015 Ed.4+R:14dic2016 y CSA

C22.2#46:2013 Ed.9

Archivo 5005382

16. Este calentador solo debe usarse para calentar personas al aire libre o en interiores en un espacio no cerrado. El MANHATTAN no debe ser utilizado por niños o personas con capacidades físicas, sensoriales o mentales reducidas, o falta de experiencia o conocimiento, independientemente de que hayan recibido instrucción o estén bajo supervisión. Los niños deben mantenerse alejados y no deben dejarse sin supervisión alrededor de la unidad.
17. Todos los operadores solo deben encender/apagar el aparato siempre que se haya colocado o instalado en su posición de funcionamiento normal prevista y se les haya dado supervisión o instrucciones sobre el uso del aparato de manera segura y comprendan los peligros involucrados. Los niños no deben enchufar, encender o regular el aparato ni realizar el mantenimiento del usuario, incluida la limpieza.
18. NO deje el calentador funcionando sin supervisión.
19. NUNCA coloque las manos debajo del elemento calefactor durante el funcionamiento.
20. IMPORTANTE: Asegúrese de que el voltaje de suministro no supere los 245 voltios.

GUARDA ESTAS INSTRUCCIONES.

PROTECCIÓN DEL AGUA:

Herschel MANHATTAN es adecuado para uso en exteriores.

La instalación en áreas como baños al aire libre, piscinas o jacuzzis debe ser realizada por un instalador debidamente calificado y cumplir con los requisitos locales de seguridad eléctrica.

En caso de duda, no instale. Herschel Infrared Ltd no será responsable de ninguna pérdida, daño o lesión causados o resultantes de una instalación inadecuada o colocación incorrecta de calentadores cerca de fuentes de agua.

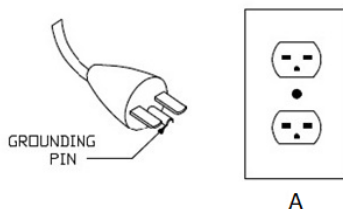
INFORMACIÓN ELÉCTRICA:

Tabla 1. Especificaciones eléctricas

Modelo	MANHATTAN 3000
Voltaje	240V
Potencia Nominal	3000 vatios
Corriente	12.5 Amperios
Interruptor automático	Se recomienda el tipo C o utilice la unidad Herschel Soft-Start
Frecuencia	50 Hz

El Herschel MANHATTAN se puede enchufar a un enchufe impermeable. Cualquier cable de extensión utilizado debe tener la capacidad suficiente para transportar la corriente requerida por el calentador, como se muestra en la Tabla 1. Todos los enchufes, tomas e interruptores destinados para uso en exteriores deben tener una protección adecuada contra el ingreso de agua.

Métodos de puesta a tierra de 240 V



ENGLISH

El MANHATTAN 3000 es para uso a 240 voltios. El cable de alimentación tiene un enchufe para usar en una toma de corriente como se muestra en 'A'. No hay ningún adaptador disponible para usar entre el enchufe y otro tipo de toma de corriente y no se debe usar ninguno. El tipo de toma de corriente es una toma de tierra de 240 voltios. Cuando se usa, proporciona una conexión a tierra a través del cable de alimentación al calentador para proteger al operador de descargas eléctricas.

Desconecte siempre el calefactor de la corriente cuando no esté en uso.

Herschel recomienda utilizar un disyuntor tipo C para manejar la corriente inicial cuando se enciende el calentador.

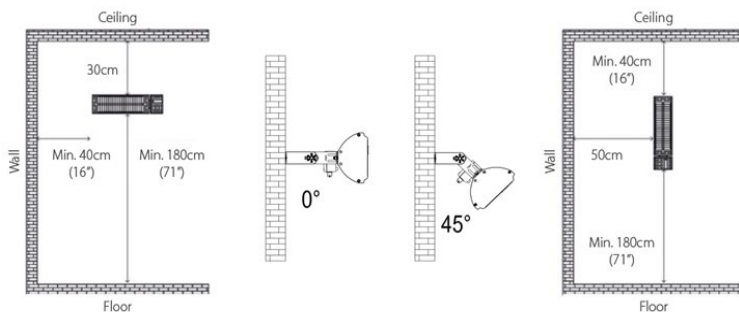
La posición de montaje de la unidad debe garantizar que sea improbable que se produzcan daños mecánicos en el cable flexible. El exceso de cable debe asegurarse y no debe tocar las partes calientes del calentador y no debe invadir el área calentada. No permita que el cable actúe como un conducto para el agua hacia el pasacables en la parte posterior del calentador.

POSICIÓN DE MONTAJE:

El Herschel MANHATTAN es un calefactor infrarrojo de onda media que se caracteriza por un fuerte haz de calor adecuado para su uso en áreas más frías o áreas que pueden estar sujetas a vientos ligeros, al mismo tiempo que mantiene la eficacia de la calefacción. Cuando se usa al aire libre o en otras áreas con movimiento de aire/viento, la dispersión del infrarrojo direccional puede reducirse entre 1/3 y 1/2 de las cifras publicadas.

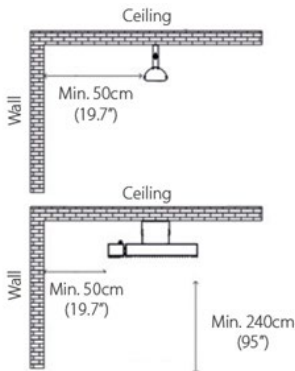
Asegúrese de que se mantengan las distancias desde la pared o el techo más cercano según su instalación, como se muestra:

Diagrama 1: Montado en la pared, horizontal o vertical



MANHATTAN se puede montar en la pared de forma horizontal o vertical y se puede ajustar para proyectarse directamente hacia afuera o

en un ángulo de 45°. La altura mínima de instalación del MANHATTAN sobre el piso es de 71" (1,8 m) cuando se monta en la pared

**Diagrama 2: montaje en el techo**

La altura mínima de instalación del MANHATTAN sobre el piso es de 95" (2,4 m) cuando se monta en el techo. Se debe tener en cuenta cualquier estructura temporal u ocasional, como escenarios o plataformas, y ajustarse en consecuencia. Mantenga el cable y otras conexiones eléctricas fuera del espacio del calentador.

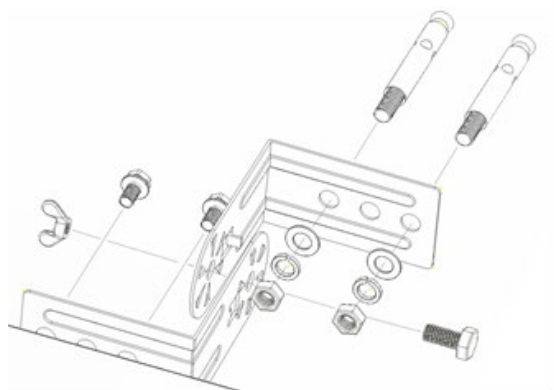
Para todas las instalaciones, el MANHATTAN debe estar ubicado en una posición que permita un uso adecuado y eficiente, pero que asegure que las partes calientes no se toquen accidentalmente.

INSTALACIÓN:

Diagrama 3: Montaje del soporte

El hardware de montaje incluye:

- 4 piezas de soporte: encajan para formar 2 soportes con un pivote central. La hoja que sobresale en cada soporte encaja sobre el extremo circular del soporte opuesto para asegurar el ángulo de pivote correcto.
- 4 x pernos de expansión para mampostería M6x60 (para instalar los soportes en la pared).
- 2 pernos pequeños para colocar los soportes en la parte trasera del calentador.
- 2 x tornillos pequeños y tuercas de mariposa (para formar el pivote en los soportes).



Usando los soportes como plantilla, marque y taladre orificios de 4 x 8 mm en la pared. Inserte los tacos en la pared y coloque los soportes, las arandelas, las arandelas elásticas y las tuercas sobre los extremos roscados expuestos. Apretar las tuercas obligará al extremo del enchufe a expandirse en la pared y formar un montaje seguro para el calentador.

Coloque el soporte opuesto en la parte posterior del calentador antes de insertar y apretar el perno y la tuerca de cada bisagra.

MANEJO DURANTE LA INSTALACIÓN:

Tenga cuidado durante la instalación para evitar tocar la parrilla en la parte delantera del calentador. Asegúrese de limpiar las marcas de los dedos del calentador antes de encenderlo por primera vez, ya que los aceites de las huellas dactilares pueden quemarse y causar una rápida decoloración de ciertas partes.



PRECAUCIÓN:

- Asegúrese de que la alimentación eléctrica esté APAGADA y que la unidad esté fría antes de comenzar la instalación.
- El cable de alimentación suministrado no debe hacer contacto con la superficie superior del calentador durante el funcionamiento.
- El calentador no debe ubicarse inmediatamente encima o debajo de un tomacorriente. Las conexiones eléctricas deben realizarse fuera del espacio ocupado por la unidad para evitar la acumulación de calor en la conexión.
- Las viguetas, vigas y vigas no deben cortarse ni muescarse para instalar el aparato.
- Este calefactor no está diseñado para instalación empotrada.
- La marca de identificación y la referencia del modelo deben ser visibles después de la instalación.
- El aislamiento del cableado fijo que entre en contacto con piezas con un aumento de temperatura superior a 50 °C debe protegerse, por ejemplo, con manguitos que tengan una clasificación de temperatura adecuada.
- Asegúrese de que los cables estén debidamente asegurados y que los niños pequeños no puedan tirar de ellos.

USO INICIAL:

El interruptor de encendido en el costado del MANHATTAN tiene 2 posiciones:

- Posición O (Apagado)
- Posición I (Encendido - en espera)

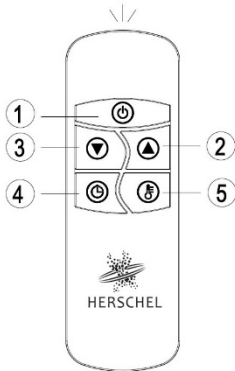
Para usar el calentador, cambie el interruptor de encendido a la posición I. Luego use el control remoto como se describe a continuación para aumentar o disminuir la potencia o use el temporizador de cuenta regresiva. Puede haber olor o vapor del calentador en el uso inicial o si no se ha utilizado durante un período prolongado. Esto es normal.

FUNCIONAMIENTO MEDIANTE MANDO A DISTANCIA:

Inserte 2 pilas alcalinas AAA en el control remoto.

Todos los controles remotos de Herschel tienen la misma frecuencia, por lo que es posible controlar varios calefactores con un solo control remoto. Las funciones del mando a distancia son las siguientes:

Remote Control Function			
Button	Function (Heater On)	Function (Heater Off)	LED Display on Heater
1	Turns heater on or off		
2	Increase Heat Level or Timer hours	Turns heater on to Level 1 (minimum)	L1 50%
3	Decrease Heat Level or Timer Hours	Turns heater on to Level 2 (Maximum)	L2 100%
4	Enable Timer adjustment	0 - 24	[0H] - [24H]
5	Enable Heat Level adjustment		L [n]



USO EXTENDIDO:

Con el tiempo, la parrilla puede decolorarse debido a las altas temperaturas, los contaminantes en el aire y las huellas dactilares. La decoloración no afectará el rendimiento ni la seguridad del calentador y no es una condición para el reemplazo bajo garantía.

MANTENIMIENTO DEL USUARIO:

Evite tocar la parrilla delantera en la parte delantera del calentador y asegúrese de limpiar las huellas dactilares de estas partes.

Evite tocar una lámpara fría con los dedos. Siempre limpie las marcas de los dedos si accidentalmente toca la lámpara. Los residuos de las huellas dactilares pueden causar puntos calientes en la superficie de la lámpara y acortar la vida útil de la lámpara.

El calentador se puede limpiar con un paño suave y húmedo. No utilice detergentes abrasivos para limpiar la unidad. NO utilice alcohol, gasolina, limpiadores abrasivos, cera para muebles o cepillos ásperos para limpiar el MANHATTAN. Esto provocará el deterioro de la superficie del calentador.

El cambio de la lámpara sólo debe ser realizado por personal debidamente cualificado.

DISPOSICIÓN:

Este calefactor es un producto eléctrico y no debe desecharse con la basura doméstica. Un alto porcentaje del calentador se puede reciclar. Trátelo como residuo eléctrico y recíclelo de acuerdo con las normativas locales.

GARANTÍA:

Registre su producto aquí:

<https://www.herschel-infrared.com/customer-service/warranty-registration/>

El Herschel MANHATTAN está garantizado contra fallas debido a materiales o mano de obra defectuosos durante dos años a partir de la fecha de compra, excluyendo la lámpara y el control remoto. En el improbable caso de que la unidad falle dentro de este tiempo, la unidad debe devolverse al proveedor para su reparación o reemplazo. La garantía no es válida si no se siguen las instrucciones de instalación correctas que se dan en este folleto. Consulte la política de garantía de Herschel Infrared Ltd para obtener todos los detalles.

Consulte <https://www.herschel-infrared.com>.

Anote su número de serie para referencia futura:

INFORMACIÓN TÉCNICA:

Potencia nominal:	3000W a 240V
Configuración de energía:	1500W / 3000W con mando a distancia
Elemento de calefacción:	2 lámparas infrarrojas de onda media de fibra de carbono de 1,5 kW
Reflector:	Espejo de aluminio (98 % de reflexión que evita la pérdida de calor hacia atrás)
Dimensiones (pulgadas):	41,1x6x3,3
Posición de montaje:	Pared o Techo
Tiempo de calentamiento:	2 segundos
Longitud de onda máxima:	2 - 5 μm
Peso:	9.2 libras
Garantía:	2 años (excluye lámpara y control remoto)
Ubicación:	Adecuado para uso en exteriores.
Remoto:	Temporizador de 24 horas, configuración de media potencia. 2 pilas AAA

EQUIPO ELÉCTRICO:

Los productos eléctricos de desecho no deben desecharse con la basura doméstica. Por favor, recicle en las instalaciones correspondientes.

AVISO IMPORTANTE PARA EL COMPRADOR:

Antes de utilizar el producto, debe determinar su idoneidad para el uso previsto. HERSCHEL INFRARED LTD renuncia expresamente a las garantías y condiciones implícitas de comerciabilidad e idoneidad para un propósito particular. En ningún caso, HERSCHEL INFRARED LTD será responsable bajo ninguna teoría legal, incluidos, entre otros, contratos o responsabilidad estricta, por daños directos, indirectos, especiales, incidentales o consecuentes que resulten del uso del producto.