

HERSCHEL SUMMIT 2600

HERSCHEL SUMMIT 2600R

Ceiling or Wall-mounted Infrared Heaters



EN **INSTALLATION & OPERATING INSTRUCTIONS**
ES **INSTRUCCIONES DE INSTALACIÓN Y FUNCIONAMIENTO**

MODELS COVERED BY THIS MANUAL:

Summit 2600
Summit 2600R

TECHNICAL INFORMATION:

Rated Power:	2000 - 2600W at 208 - 240V
Heating Element:	Herschel Kanthal AF
Emitter:	Structured Aluminium surface with Black or White coating
Dimensions:	59" x 6.3" x 1.7"
Remote control:	2 power levels (100% & 50%) & 0-24 hour timer (24 x 1 hour increments)
Warm-up time:	<10 Minutes
Useful wavelength range:	3 - 10µm
Weight:	8.6kg / 19 lbs
Warranty:	2 Years (excludes remote control)
Protection:	IP64



Original instructions covering SUMMIT 2600 & 2600R produced 012019 onwards.
SUMMIT 2600 conforms to UL 2021:2015 Ed.4+R:14Dec2016 and CSA
C22.2#46:2013 Ed.9

IMPORTANT SAFETY PRECAUTIONS

READ THESE INSTRUCTIONS CAREFULLY AND RETAIN FOR FUTURE REFERENCE.

Failure to observe these instructions will invalidate the warranty.

This unit may be a source of possible shock.

Do not disassemble. No user-serviceable parts inside.

Source of possible ignition.



WARNING

TO REDUCE THE RISK OF FIRE, ELECTRIC SHOCK OR INJURY:

1. Remove the unit from its packaging and check it to ensure it is in good condition before installing and operating.
2. Send the packaging to be recycled. **DO NOT** let children play with plastic bags or other parts of the packaging.
3. **CAUTION:** Risk of Electric shock
 - a. This appliance must be disconnected from its power source during installation or service activities and when replacing.
 - b. **DO NOT** use this heater in the immediate surroundings of a bath, shower or swimming pool or hot tub where it could fall into a container full of water.
 - c. Switches and other controls must not be within reach of a person in a bath, pool, hot tub or shower.
 - d. **DO NOT** touch this heater or its controls with wet hands.
 - e. **DO NOT** allow power cables to become immersed in water or other liquid.
 - f. **DO NOT** open or try to repair the heater yourself. Servicing should be performed by qualified personnel only.
4. The SUMMIT is not equipped with a device to control the room temperature. Do not use for room heating when rooms are occupied by people incapable of leaving the room on their own, unless constant supervision is provided.
5. In order to avoid overheating and potential fire hazard, **DO NOT** cover the heater under any circumstances. If the heater should become accidentally covered during operation, turn it off immediately and clear out any foreign objects that have covered the heater.
6. **DO NOT** touch the heater when in use. Parts of the heater exceed 200°C / 392°F during operation. Contact with the heater during operation may cause severe burns. Do not touch the heater during or for 30 minutes after operation.
7. **DO NOT** use the heater if the power cord is damaged. This must be replaced by the manufacturer, its service agent or similarly qualified persons in order to avoid a hazard.
8. **DO NOT** use the heater to ignite materials. **DO NOT** operate in locations containing gasoline, flammable liquids or other volatile substances.
9. **DO NOT** install this heater near, or pointing towards flammable objects within 1m / 3 feet or where curtains, towels or other flammable items can be blown onto the heater.
10. This heater must only be used for the heating of people or buildings. The SUMMIT is not to be used by children or persons with reduced physical, sensory or mental capabilities, or lack of experience or knowledge, regardless of whether they have been given instruction or are under supervision. Children should be kept away and should not be left unsupervised around the unit.
11. All operators shall only switch on/off the appliance provided that it has been placed or installed in its intended normal operating position and they have been given supervision or instruction concerning

use of the appliance in a safe way and understand the hazards involved. Children shall not plug in, switch on or regulate the appliance or perform user maintenance including cleaning.

12. **IMPORTANT:** Ensure supply voltage does not exceed 245 volts.

SAVE THESE INSTRUCTIONS.

WATER INGRESS PROTECTION:

Herschel SUMMIT is rated to a standard IP64. If used outdoors the Herschel SUMMIT must be under permanent cover and fully protected against the risk of any water ingress or exposure to rainfall. The canopy/roof/cover must be of a permanent nature and minimum distances observed, as detailed in Diagram 3, page 4 of these instructions. The cover must extend a minimum of 2m (79") around the heater. Herschel SUMMIT is not intended for installation in locations that are permanently wet or humid.

Installation in potentially wet or humid rooms such as bathrooms must be carried out by a suitably qualified installer and comply with local electrical safety requirements. Installation must be such that:

- the heater must not be able to become detached from the fittings and fall into a bathtub, shower, swimming pool or other water container;
- Switches and other controls cannot be touched by a person in a bath or shower.

If in doubt, do not install. Herschel Infrared Ltd shall not be liable for any loss, damage or injury caused or resulting from inadequate fitting or incorrect placement of heaters close to water sources.

ELECTRICAL INFORMATION:

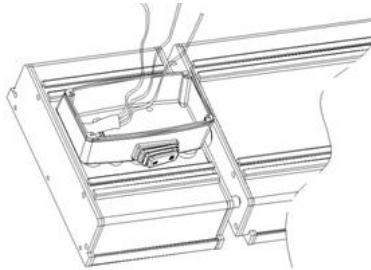
Installation must only be carried out by competent persons or a qualified electrician according to national regulations. Wiring must be connected in accordance with the relevant national electrical safety standards and must be earthed. The electrical supply to the unit should be provided by connecting to a circuit protected by a fuse or miniature circuit breaker suitable for the electrical rating of the unit in accordance with Table 1 and providing disconnection in both poles. Any electrical connections intended for use outdoors must have water ingress protection ratings as good as, or better, than the protection rating of the heater (IP64).

Table 1. Electrical Specification

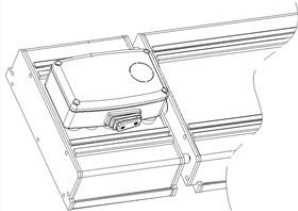
Model	Power	Voltage	Current	Frequency
SUMMIT 2600 & 2600R	2000 - 2600W	208 -240V	11 A	60Hz

The mounting position of the unit must ensure that any mechanical damage to the flexible cable is unlikely. Any exposed flexible cable is to hang down (not tied UP) & must have adequate clearance from the heater to prevent scorching or damaging the cable.

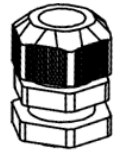
The Kanthal element used in the SUMMIT produces an inrush current when first switched on. If 4 or more Non-Remote-Control units are intended for installation on the same circuit, a soft start device must be used to protect the heaters. Please refer to your electrician or Herschel for further information and to obtain recommended soft start units. Failure to do so will damage the heaters and invalidate the warranty.

Figure 1. Rear of SUMMIT 2600R & 2600 showing power box location**To fit the power cable:**

Unscrew the lid from the power box on the rear of the heater and gently prize out the circular blanking plate (for power cable access).



Fit the 22.3mm / 7/8" cable gland supplied into the lid to provide water ingress protection to the mains power cable.



Connect the external mains supply wiring to the internal wiring using the spring screw terminals supplied. Colour coding used in the internal power cable is as follows:

- BLACK is to be connected to Live 1 (hot);
- RED is to be connected to Live 2;
- GREEN is to be connected to GROUND.

Re-fit and screw-down the power box lid.

MOUNTING POSITION:

The SUMMIT must be installed paying special attention to the minimum clearances stated in these instructions. The heater must be mounted on a rigid fixing. The ideal position of the SUMMIT is on a ceiling directly above the area to be heated. If this is not possible, SUMMIT can be mounted on a wall and angled downwards.

The recommended installation height of the SUMMIT is 2.1m to 2.7m / 83" to 106" from the floor according to the expected application (see Figure 2). Under no circumstances is the unit to be installed at less than 1.8m / 71" from the floor. In all cases it should be installed at a height where it cannot be touched in operation.

Figure 2. SUMMIT heated area and applications

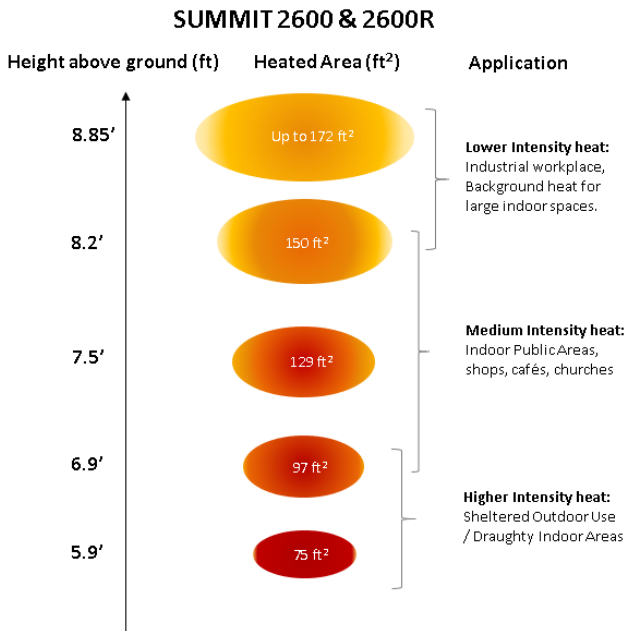
The Far Infrared heat of SUMMIT is characterised by a consistent, comfortable heat distribution over the heated area. The zone heated by the SUMMIT will increase in size the higher the heater is installed from the floor, but the warmth experienced from the heater will be lower. The mounting height and intensity should reflect the intended use of the heater.

Mount the heater at a lower height in areas intended for low physical activity (for example a seating area) or areas subject to airflow (outside or near open doors).

Mount higher where less intense warmth is needed (for example warehouses where workers are active and wear warm clothing).

The Herschel SUMMIT must be located in a position to allow proper and efficient use but one that ensures hot parts are not touched accidentally.

Consideration should be given to any temporary or occasional additions such as stages or platforms and adjusted accordingly. For outdoor use, or other areas with air movement/wind the directional Far Infrared spread may reduce by 1/3 to 1/2. In these areas, we recommend mounting at the lowest recommended height and proportionally increasing the number of heaters. Power can also be adjusted with the 2600R model.

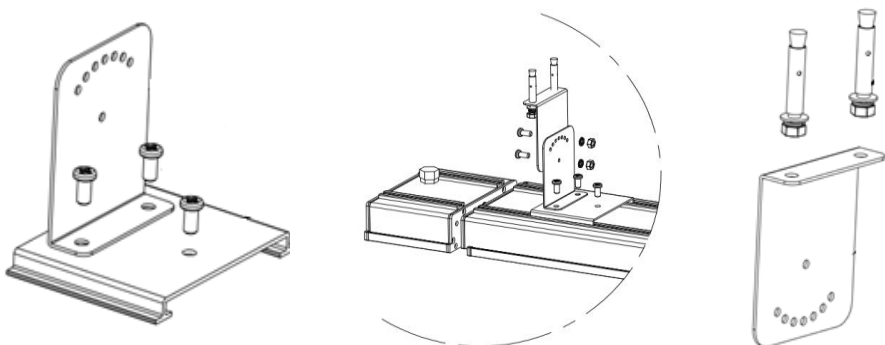


Wall/ceiling mount swivel brackets and accessories are provided with the heater which has been specifically designed to allow this product to be fitted to a wall or ceiling with adequate clearances (140mm or 5.5") at the back of the unit. The sides and ends of the heater must be positioned at least 300mm / 12" away from the nearest wall or other surface.

For longer distances from the ceiling, an optional wire suspension kit can be purchased from a recommended supplier. Please contact Herschel for further information.

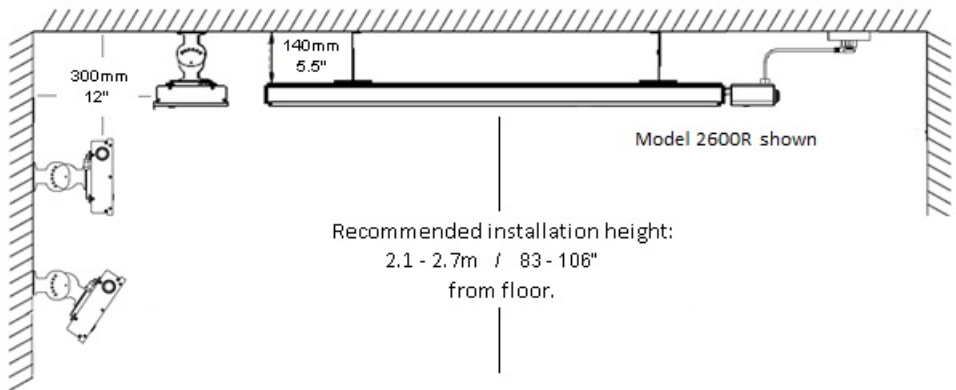
INSTALLATION:

Figure 3: Swivel Bracket Assembly



Mounting Hardware Includes:

- 4 x bracket pieces (fit together to form 2 brackets with central pivot)
- 4 x bolts with expansion plugs (for fitting brackets onto ceiling or wall)
- 2 x slider plates (fit into grooves on rear of heater)
- 4 x small bolts to fit brackets onto slider plates
- 4 x small bolts with nuts (to form the pivot on the brackets)
- 2 x screws (fit into slider plates to clamp the slider plate in position on the heater).

Diagram 3: Mounting options and minimum distances to objects.**⚠ CAUTION:**

- Ensure mains power is OFF before commencing installation.
- The supplied mains cable must not contact the top surface of the heater during operation.
- Heater must not be located immediately below a socket outlet. Electrical connections must be made outside of the footprint of the unit to avoid heat build-up. If the heater is to be mounted on an incline (e.g. sloping roof), ensure the electrical connection is located below the lowest end of the heater.
- Joists, beams and rafters shall not be cut or notched to install the appliance.
- This heater is not intended for ceiling-recessed installation.
- The identification mark and model reference should be visible after installation.
- The SUMMIT must not be attached facing or close to any combustible material (eg, wood or PVC cladding, fascia or soffit) or other materials that could blow onto the heater.
- The fixed wiring insulation coming into contact with parts with a temperature rise of greater than 50°C must be protected, for example, by sleeving having an appropriate temperature rating.

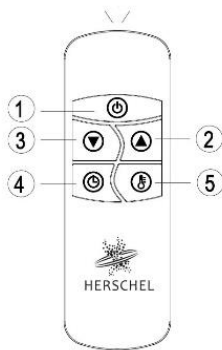
OPERATION BY REMOTE CONTROLLER:

The Herschel SUMMIT 2600R is operated from the remote control supplied with the heater. The SUMMIT 2600 has no remote control.

Insert 2 x AAA Alkaline batteries into the remote control.

Remote Control Function

Button	Function (Heater On)	Function (Heater Off)	LED Display on Heater
1	Turns heater on or off		
2	Increase Heat Level or Timer hours	Turns heater on to Level 1 (minimum)	L1
3	Decrease Heat Level or Timer Hours	Turns heater on to Level 2 (Maximum)	L2
4	Enable Timer adjustment		00 - 24
5	Enable Heat Level adjustment		L [n]



1. POWER BUTTON: Turns heater on or off.
2. UP BUTTON: Increases the temperature and timer level.
3. DOWN BUTTON: Decreases temperature and timer level.
4. LEVEL BUTTON: Use to adjust heat levels (L1-L2). Press the Level button then use the up and down buttons (2 and 3) to increase or decrease the heating level.
5. TIMER BUTTON: Use to set the timer from 00 – 24 hours. Adjust using buttons 2 & 3 to the number of hours you would like to set.

All Herschel remote controls have the same frequency, so it is possible to control several heaters with just one remote.

Safety & Energy-saving protection:

- If a heater with remote control is left switched on continuously for a week (168 hours), the heater will automatically switch itself off and must be restarted.
- Heaters with remote controllers are equipped with an overheat switch which will cut power to the heater if it senses an overheat in the electronics. Please let the heater cool down for 15 minutes before attempting to restart.

INITIAL USE:

Before first use, ensure the emissive (front) surface is free of fingerprints and other contamination before turning on heater for the first time. There may be an odour or vapour from the heater on initial use or if heater has not been used for an extended period. This is normal.

USER MAINTENANCE:

Switch off the heater and allow it to cool completely. The SUMMIT may be wiped-down with a clean damp cloth. Do not use abrasive detergents solvents or citrus-based cleaners to clean the unit. In marine or other corrosive environments, the unit may be gently sprayed clean with clean water. After cleaning, it is advisable to warm the heater for 10 – 20 minutes to dry the unit and prevent staining.

WARRANTY:

Register your product here:

<https://www.herschel-infrared.com/customer-service/warranty-registration/>

ENGLISH

The Herschel SUMMIT is guaranteed against failure due to faulty materials or workmanship for two years from date of purchase*. In the unlikely event of failure of the unit within this time, the unit must be returned to the supplier for repair or replacement. The guarantee is invalid if the correct installation instructions as given in this leaflet have not been adhered to. Refer to Herschel Infrared Ltd's warranty policy for full details.

*Excludes Remote Control Unit.

See <https://www.herschel-infrared.com>.

Note your serial number here for future reference:



ELECTRICAL EQUIPMENT:



Waste electrical products should not be disposed of with household waste. Please recycle where facilities exist.



IMPORTANT NOTICE TO PURCHASER:

Before utilizing the product, you should determine the suitability of the product for its intended use. HERSCHEL INFRARED LTD expressly disclaims the implied warranties and conditions of merchantability and fitness for a particular purpose. In no case shall HERSCHEL INFRARED LTD be liable under any legal theory, including but not limited to contract or strict liability, for any direct, indirect special, incidental or consequential damages resulting from product use.

PRECAUCIONES DE SEGURIDAD IMPORTANTES

LEA ESTAS INSTRUCCIONES DETENIDAMENTE Y GUARDE PARA FUTURAS CONSULTAS.

El incumplimiento de estas instrucciones invalidará la garantía.

Esta unidad puede ser una fuente de posibles descargas.

No desarme. No hay piezas en el interior que puedan ser reparadas por el usuario.

Fuente de posible ignición.



ADVERTENCIA

PARA REDUCIR EL RIESGO DE INCENDIO, DESCARGA ELÉCTRICA O LESIONES:

1. Saque la unidad de su embalaje y verifique que esté en buenas condiciones antes de instalarla y ponerla en funcionamiento.
2. Envíe el embalaje para su reciclaje. **NO** permita que los niños jueguen con bolsas de plástico u otras partes del embalaje.
3. **PRECAUCIÓN:** Riesgo de descarga eléctrica
 - a. Este aparato debe desconectarse de su fuente de alimentación durante las actividades de instalación o servicio y al reemplazarlo.
 - b. **NO** use este calentador en las inmediaciones de un baño, ducha o piscina o jacuzzi donde podría caer en un recipiente lleno de agua.
 - c. Los interruptores y otros controles no deben estar al alcance de una persona en un baño, piscina, jacuzzi o ducha.
 - d. **NO** toque este calentador o sus controles con las manos mojadas.
 - e. **NO** permita que los cables de alimentación se sumerjan en agua u otro líquido.
 - f. **NO** abra ni intente reparar el calentador usted mismo. El servicio debe ser realizado únicamente por personal calificado.
4. El SUMMIT no está equipado con un dispositivo para controlar la temperatura ambiente. No lo utilice para calentar habitaciones cuando las habitaciones estén ocupadas por personas que no puedan salir de la habitación por sí mismas, a menos que se proporcione una supervisión constante.
5. Para evitar el sobrecalentamiento y el riesgo potencial de incendio, **NO** cubra el calentador bajo ninguna circunstancia. Si el calentador se cubre accidentalmente durante el funcionamiento, apáguelo inmediatamente y elimine cualquier objeto extraño que haya cubierto el calentador.
6. **NO** toque el calentador cuando esté en uso. Las partes del calentador superan los 200 ° C / 392 ° F durante el funcionamiento. El contacto con el calentador durante el funcionamiento puede causar quemaduras graves. No toque el calentador prendido o durante 30 minutos después del funcionamiento.
7. **NO** use el calentador si el cable de alimentación está dañado. Esto debe ser reemplazado por el fabricante, su agente de servicio o personas calificadas de manera similar para evitar un peligro.

Traducción de las instrucciones originales de SUMMIT 2600 y 2600R producidas a partir del 012019 en adelante.

SUMMIT 2600 cumple con UL 2021: 2015 Ed.4 + R: 14Dec2016 y CSA C22.2 # 46: 2013 Ed.9



8. **NO** use el calentador para encender materiales. **NO** opere en lugares que contengan gasolina, líquidos inflamables u otras sustancias volátiles.
9. **NO** instale este calentador cerca o apuntando hacia objetos inflamables dentro de 1 m / 3 pies o donde cortinas, toallas u otros artículos inflamables puedan soplar sobre el calentador.
10. Este calefactor solo debe utilizarse para calentar personas o edificios. La SUMMIT no debe ser utilizada por niños o personas con capacidades físicas, sensoriales o mentales reducidas, o falta de experiencia o conocimiento, independientemente de que hayan recibido instrucción o estén bajo supervisión. Los niños deben mantenerse alejados y no deben dejarse sin supervisión alrededor de la unidad.
11. Todos los operadores solo deben encender / apagar el artefacto siempre que haya sido colocado o instalado en su posición de funcionamiento normal prevista y hayan recibido supervisión o instrucción sobre el uso del artefacto, de manera segura y comprendan los peligros involucrados. Los niños no deben enchufar, encender o regular el aparato ni realizar el mantenimiento por parte del usuario, incluida la limpieza.
12. **IMPORTANTÉ:** Asegúrese de que el voltaje de suministro no exceda los 245 voltios.

GUARDA ESTAS INSTRUCCIONES.

PROTECCIÓN CONTRA LA INGRESO DE AGUA:

Herschel SUMMIT tiene una clasificación de IP64 estándar. Si se usa al aire libre, Herschel SUMMIT debe estar bajo una cubierta permanente y completamente protegida contra el riesgo de entrada de agua o exposición a la lluvia. La marquesina / techo / cubierta debe ser de naturaleza permanente y se deben respetar las distancias mínimas, como se detalla en el Diagrama 3, página 4 de estas instrucciones. La cubierta debe extenderse un mínimo de 2 m (79 ") alrededor del calentador. Herschel SUMMIT no está diseñado para su instalación en lugares que estén permanentemente mojados o húmedos.

La instalación en habitaciones potencialmente mojadas o húmedas, como baños, debe realizarla un instalador debidamente calificado y cumplir con los requisitos locales de seguridad eléctrica. La instalación debe ser tal que:

- el calentador no debe poder desprenderse de los accesorios y caer en una bañera, ducha, piscina u otro recipiente de agua;
- Una persona no puede tocar los interruptores y otros controles en un baño o ducha.

En caso de duda, no lo instale. Herschel Infrared Ltd no será responsable de ninguna pérdida, daño o lesión causada o resultante de un ajuste inadecuado o una colocación incorrecta de calentadores cerca de fuentes de agua.

INFORMACION ELECTRICA:

La instalación solo debe ser realizada por personas competentes o un electricista calificado de acuerdo con las normativas nacionales. El cableado debe conectarse de acuerdo con las normas nacionales de seguridad eléctrica pertinentes y debe estar conectado a tierra. El suministro eléctrico a la unidad debe proporcionarse conectándolo a un circuito protegido por un fusible o un disyuntor en miniatura adecuado para la clasificación eléctrica de la unidad de acuerdo con la Tabla 1 y proporcionando desconexión en ambos polos. Cualquier conexión eléctrica destinada a su uso en exteriores debe tener una clasificación de protección contra la entrada de agua tan buena o mejor que la clasificación de protección del calentador (IP64).

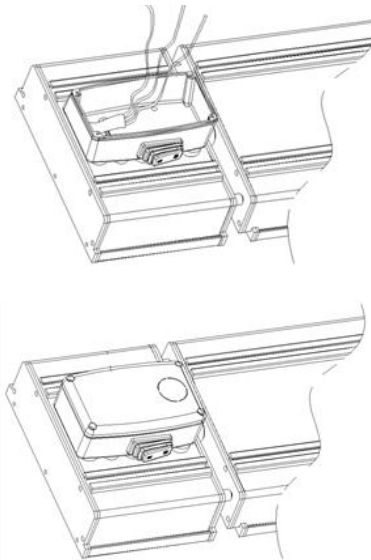
Tabla 1. Especificaciones eléctricas

Modelo	Potencia	Tensión	Corriente	Frecuencia
SUMMIT 2600 y 2600R	2000 - 2600W	208 -240V	11 A	60Hz

La posición de montaje de la unidad debe garantizar que sea improbable que se produzcan daños mecánicos en el cable flexible. Cualquier cable flexible expuesto debe colgarse (no atado) y debe tener un espacio adecuado desde el calentador para evitar que se queme o dañe el cable.

El elemento Kanthal utilizado en SUMMIT produce una corriente de irrupción cuando se enciende por primera vez. Si se prevé instalar 4 o más unidades sin control remoto en el mismo circuito, se debe utilizar un dispositivo de arranque suave para proteger los calentadores. Consulte con su electricista o con Herschel para obtener más información y para obtener las unidades de arranque suave recomendadas. No hacerlo dañará los calentadores e invalidará la garantía.

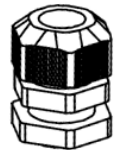
Figura 1. Parte trasera de SUMMIT 2600R y 2600 que muestra la ubicación de la caja de energía



Para colocar el cable de alimentación:

Desenrosque la tapa de la caja de energía en la parte trasera del calentador y levante suavemente la placa de obturación circular (para acceder al cable de energía).

Coloque el prensaestopas de 22,3 mm / 7/8 "suministrado en la tapa para proteger el cable de alimentación de la entrada de agua.



Conecte el cableado de suministro eléctrico externo al cableado interno utilizando los terminales de tornillo de resorte suministrados. La codificación de colores utilizada en el cable de alimentación interno es la siguiente:

- NEGRO debe conectarse a Live 1 (caliente);
- RED se conectará a Live 2;
- VERDE debe conectarse a TIERRA.

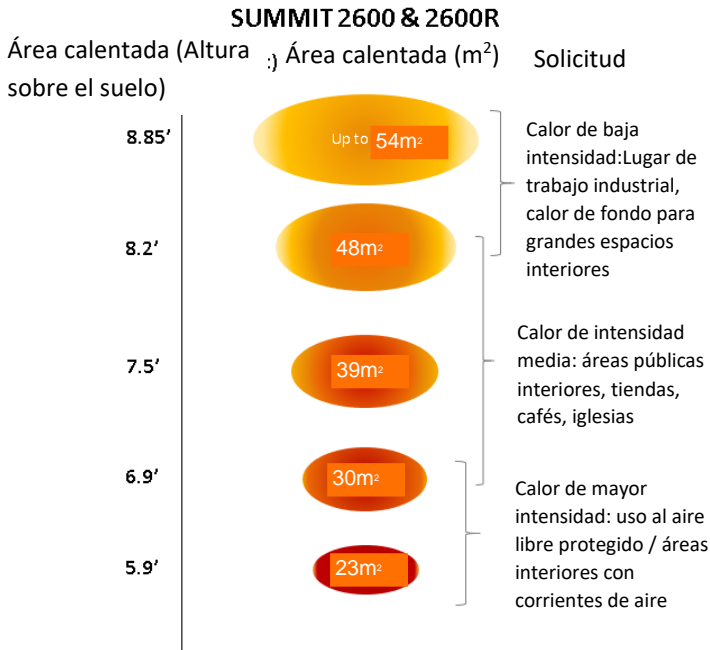
Vuelva a colocar y atornille la tapa de la caja de energía.

POSICIÓN DE MONTAJE:

La SUMMIT debe instalarse prestando especial atención a los espacios mínimos indicados en estas instrucciones. El calentador debe montarse sobre una fijación rígida. La posición ideal del SUMMIT es en un techo directamente sobre el área a calentar. Si esto no es posible, SUMMIT se puede montar en una pared y en ángulo hacia abajo.

La altura de instalación recomendada del SUMMIT es de 2,1 ma 2,7 m / 83 "a 106" desde el piso de acuerdo con la aplicación esperada (consulte la Figura 2). Bajo ninguna circunstancia se debe instalar la unidad a menos de 1.8 m / 71 "del piso. En todos los casos, debe instalarse a una altura donde no se pueda tocar en funcionamiento..

Figure 2. SUMMIT heated area and applications



El calor del infrarrojo lejano de SUMMIT se caracteriza por una distribución de calor uniforme y cómoda sobre el área calentada.

La zona calentada por SUMMIT aumentará de tamaño cuanto más alto se instale el calentador desde el piso, pero el calor experimentado por el calentador será menor.

La altura e intensidad de montaje deben reflejar el uso previsto del calentador.

Monte el calentador a una altura más baja en áreas destinadas a poca actividad física (por ejemplo, un área para sentarse) o áreas sujetas a flujo de aire (afuera o cerca de puertas abiertas).

Monte más alto donde se necesite un calor menos intenso (por ejemplo, almacenes donde los trabajadores están activos y usan ropa abrigada).

La Herschel SUMMIT debe ubicarse en una posición que permita un uso adecuado y eficiente, pero que garantice que las partes calientes no se toquen accidentalmente.

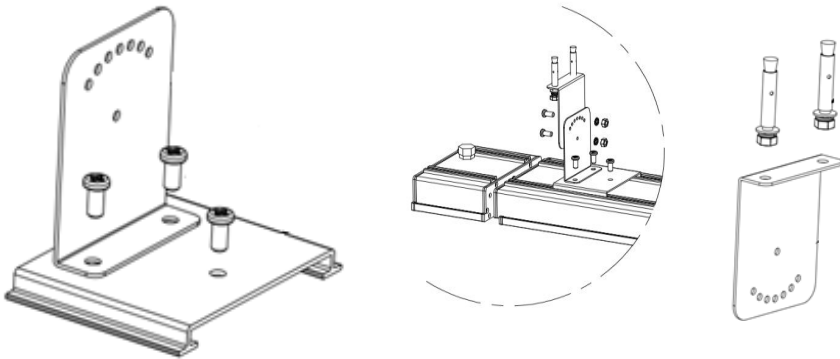
Se debe considerar cualquier adición temporal u ocasional, como escenarios o plataformas, y se debe ajustar en consecuencia. Para uso en exteriores u otras áreas con movimiento de aire / viento, la propagación direccional del infrarrojo lejano puede reducirse de 1/3 a 1/2. En estas áreas, recomendamos montar a la altura más baja recomendada y aumentar proporcionalmente el número de calentadores. La potencia también se puede ajustar con el modelo 2600R.

Los accesorios y soportes giratorios para montaje en pared / techo se proporcionan con el calentador que ha sido diseñado específicamente para permitir que este producto se instale en una pared o techo con espacios libres adecuados (140 mm o 5,5 ") en la parte posterior de la unidad. Los lados y los extremos del calentador deben colocarse al menos a 300 mm / 12 "de la pared más cercana u otra superficie.

Para distancias más largas desde el techo, se puede comprar un kit de suspensión de cables opcional a un proveedor recomendado. Comuníquese con Herschel para obtener más información.

INSTALACIÓN:

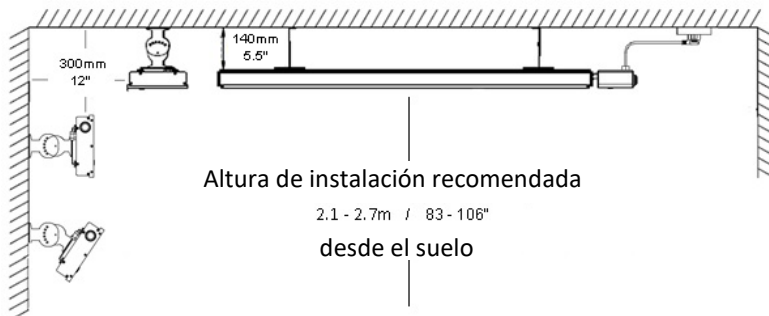
Figura 3: Conjunto de soporte giratorio



El hardware de montaje incluye:

- 4 piezas de soporte (encajan juntas para formar 2 soportes con pivote central)
- 4 tornillos con tacos de expansión (para colocar los soportes en el techo o la pared)
- 2 placas deslizantes (encajan en las ranuras de la parte trasera del calentador)
- 4 pernos pequeños para encajar los soportes en las placas deslizantes
- 4 tornillos pequeños con tuercas (para formar el pivote de los soportes)
- 2 x tornillos (encajan en las placas deslizantes para sujetar la placa deslizante en su posición en el calentador).

Diagrama 3: Opciones de montaje y distancias mínimas a los objetos.



PRECAUCIÓN:

- Asegúrese de que el suministro eléctrico esté APAGADO antes de comenzar la instalación.
- El cable de alimentación suministrado no debe tocar la superficie superior del calentador durante el funcionamiento.
- El calentador no debe ubicarse inmediatamente debajo de una toma de corriente. Las conexiones eléctricas deben realizarse fuera del espacio ocupado por la unidad para evitar la acumulación de calor.

Si el calentador se va a montar en una pendiente (por ejemplo, techo inclinado), asegúrese de que la conexión eléctrica esté ubicada debajo del extremo más bajo del calentador.

- Las vigas, vigas y vigas no se deben cortar ni hacer muescas para instalar el artefacto.
- Este calentador no está diseñado para una instalación empotrada en el techo.
- La marca de identificación y la referencia del modelo deben estar visibles después de la instalación.
- El SUMMIT no debe colocarse frente o cerca de ningún material combustible (por ejemplo, revestimiento de madera o PVC, imposta o plafón) u otros materiales que puedan soplar sobre el calentador.
- El aislamiento del cableado fijo que entra en contacto con piezas con un aumento de temperatura superior a 50 ° C debe protegerse, por ejemplo, mediante manguitos con una clasificación de temperatura adecuada.

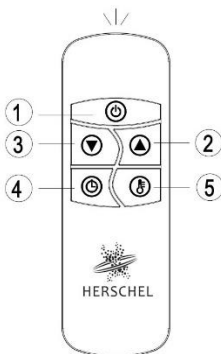
FUNCIONAMIENTO POR CONTROL REMOTO:

La Herschel SUMMIT 2600R se opera desde el control remoto suministrado con el calentador. El SUMMIT 2600 no tiene control remoto.

Inserte 2 pilas alcalinas AAA en el control remoto.

BOTÓN DE ENCENDIDO: Enciende o apaga el calentador.

Función de control remoto			
Botón	Función (calentador encendido)	Función (calentador apagado)	Pantalla LED en calentador
1	Enciende o apaga el calentador		
2	Aumentar el nivel de calor o las horas del temporizador	Enciende el calentador al nivel 1 (mínimo)	L1
3	Disminuir el nivel de calor o las horas del temporizador	Enciende el calentador al nivel 2 (máximo)	L2
4	Habilitar el ajuste del temporizador		00 - 24
5	Habilitar el ajuste del nivel de calor		L [n]



1. **BOTÓN ARRIBA:** aumenta la temperatura y el nivel del temporizador.
2. **BOTÓN ABAJO:** Disminuye la temperatura y el nivel del temporizador.
3. **BOTÓN DE NIVEL:** Úselo para ajustar los niveles de calor (L1-L2). Presione el botón Nivel y luego use los botones arriba y abajo (2 y 3) para aumentar o disminuir el nivel de calentamiento.
4. **BOTÓN DEL TEMPORIZADOR:** Úselo para configurar el temporizador de 00 a 24 horas. Ajuste usando los botones 2 y 3 al número de horas que le gustaría configurar.

Todos los controles remotos de Herschel tienen la misma frecuencia, por lo que es posible controlar varios calentadores con un solo control remoto.

Protección de seguridad y ahorro de energía:

- Si un calentador con control remoto se deja encendido continuamente durante una semana (168 horas), el calentador se apagará automáticamente y deberá reiniciarse.
- Los calentadores con control remoto están equipados con un interruptor de sobrecalentamiento que cortará la energía al calentador si detecta un sobrecalentamiento en los componentes electrónicos. Deje que el calentador se enfríe durante 15 minutos antes de intentar reiniciar.

USO INICIAL:

Antes del primer uso, asegúrese de que la superficie emisiva (frontal) esté libre de huellas dactilares y otra contaminación antes de encender el calentador por primera vez. Puede haber olor o vapor del calentador en el uso inicial o si el calentador no se ha usado durante un período prolongado. Esto es normal.

MANTENIMIENTO DEL USUARIO:

Apague el calentador y deje que se enfríe por completo. La SUMMIT se puede limpiar con un paño húmedo limpio. No use detergentes, solventes abrasivos o limpiadores a base de cítricos para limpiar la unidad. En ambientes marinos u otros ambientes corrosivos, la unidad puede rociarse suavemente con agua limpia. Después de la limpieza, es aconsejable calentar el calentador durante 10 a 20 minutos para secar la unidad y evitar que se manche.

GARANTÍA:

Registre su producto aquí: <https://www.herschel-infrared.com/customer-service/warranty-registration/>. La Herschel SUMMIT está garantizada contra fallas debidas a materiales o mano de obra defectuosos durante dos años a partir de la fecha de compra *. En el improbable caso de falla de la unidad dentro de este tiempo, la unidad debe devolverse al proveedor para su reparación o reemplazo. La garantía no es válida si no se han seguido las instrucciones de instalación correctas que se dan en este folleto. Consulte la política de garantía de Herschel Infrared Ltd para obtener todos los detalles. * No incluye la unidad de control remoto. Consulte <https://www.herschel-infrared.com>. Anote aquí su número de serie para referencia futura: Registre su producto aquí:



EQUIPO ELÉCTRICO:



Los productos eléctricos de desecho no deben desecharse con la basura doméstica. Por favor, recicle en las instalaciones correspondientes.

AVISO IMPORTANTE PARA EL COMPRADOR:

Antes de utilizar el producto, debe determinar la idoneidad del producto para el uso previsto. HERSCHEL INFRARED LTD renuncia expresamente a las garantías y condiciones implícitas de comerciabilidad e idoneidad para un propósito particular. En ningún caso HERSCHEL INFRARED LTD será responsable bajo ninguna teoría legal, incluyendo pero no limitado a contrato o responsabilidad estricta, por cualquier daño directo, indirecto especial, incidental o consecuente que resulte del uso del producto.